



Bug Free



No Mercury



Bright Color



Long Lifetime



Auto ON/OFF



Energy Saving



Eco Friendly



Theft Free



Maintenance Free



Bill Free

Wrap Solar Panel and Wind Mill Hybrid Street Light

SolarWrap

What Is It?

Cylindrical solar LED street post is a advanced combination with latest technology. It adopts the cylindrical solar modules as a revolutionary design in 2020.

Solar cylinder is based on modular conception which is can be easily mounted to any kind of pole within diameter 165mm, It adopts mono-crystalline solar panel with high efficiency up to 21.2% and more than 20 years lifetime. It has a very aesthetical appearance and has a much better wind resistance than regular solar panel.

The whole post only includes two functional components including solar cylinder and solar light head which can be connected directly by MC4 connectors. The battery and solar controller are built inside of light fixture. The power of lights covers from 20W to 120W which can be installed on poles from 5M to 14M.

Solar cylinder light post is a premium and advanced product. It is designed specially for these projects concerning a lot on aesthetical appearance as well as high luminous, durable quality system and longtime lifetime.



Universal Application

SolarWrap can be used in any type of poles and designs without dismantling them makes the application. Poles can be sourced separately, the detachable design with adjustable spacing brackets helps the mounting easy in every pole.



360° Full Day Charging

6 slim solar panels are fixed tightly on a hexagon frame. so it ensures 50% of solar panel will face to sunshine at any time of the day.



Modular Installation

This solar cylinder module is based on modular design concept for easy installation and disassembly. It can be quickly and easily mounted on any suitable pole.



Patented Design

SolarWrap solar cylinder module is designed based on advanced concepts and manufactured in high standards. PCT pre-registration was processed in 180 countries to protect market.



Strong Wind Resistance

The cylindrical design reduces the wind resistance area, and each module is directly fastened to the pole by 12 screws for better wind resistance. It can stand well against even 10 grade typhoon.



Never Snow and Dust Covering

Solar cylinder modular mounted in vertical, it is not easy to be covered by snow as regular solar panel as well dust deposition on surface. Ensure enough power can be generated even in very snowy and dusty climate.



Easy to Clean

Less dust will fall on surface than regular solar panel. Worker can clean it easily standing on ground with a long handle brush. no need lift. higher work efficiency and less maintenance cost.



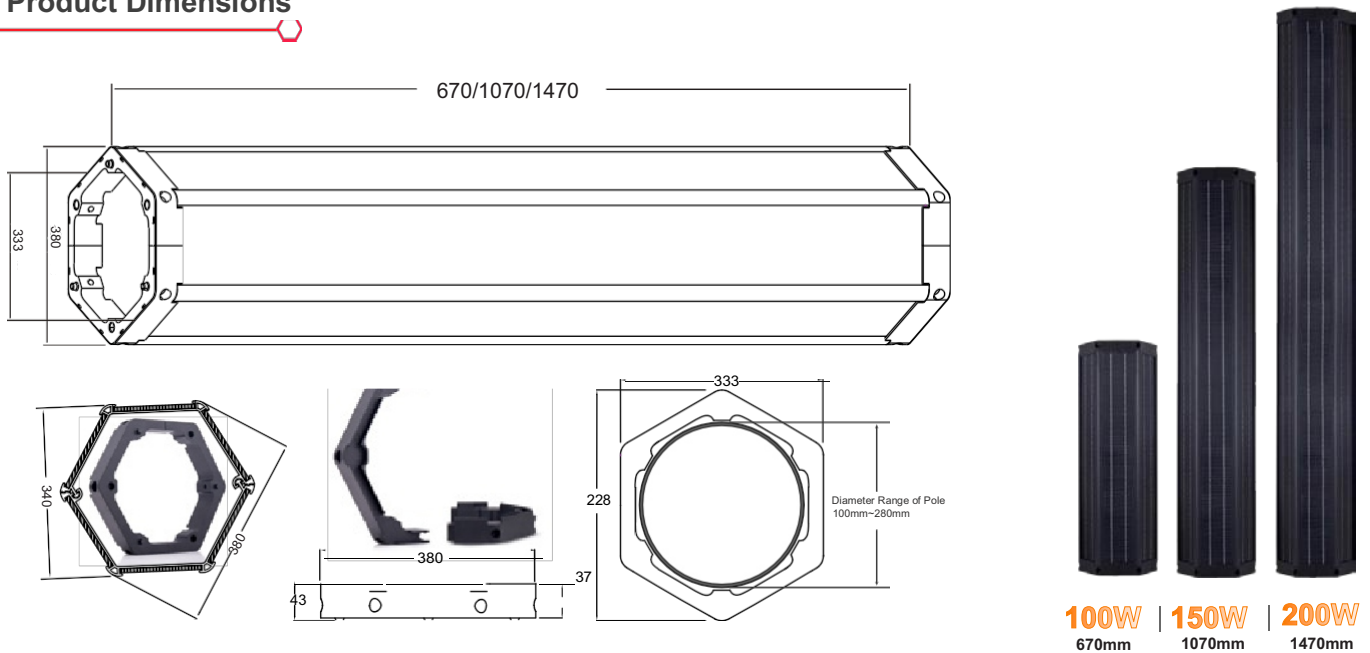
Design Aesthetics

The relatively large size of solar panels on the pole top has made the solar lighting not an option for the areas where the design aesthetics and decorative lighting applications are used. SolarWrap module systems is the real answer which is compact and fully integrates on the pole and available in custom colors to match the design of the pole.

Product Specifications

Model No	GTWS100	GTWS150	GTWS210
Cell type	Mono Perc	Mono Perc	Mono Perc
Pmax	100W	150W	210W
Vmp	18V	36V	36V
Imp	5.55A	4.16A	5.55A
Frame material	Aluminium Alloy	Aluminium Alloy	Aluminium Alloy
Solar cell efficiency	>21.2%	>21.2%	>21.2%
Cable model	2.5mm ² with MC4	2.5mm ² with MC4	2.5mm with MC4
Operating temperature	-40°C to +85°C	-40°C to +85°C	-40°C to +85°C
Warranty	5 years	5 years	5 years
Life time	25 years	25 years	25 years
N. W	11.2kgs	16.8kgs	22.70kgs
G. W	12.80Kgs	18.80Kgs	24.30Kgs

Product Dimensions



Compatible solar and wind Mill integrated lights
 Built in lithium battery, bms and smart controller

SMART HYBRID SOLAR & WIND STREET LIGHT
 50|70|80|90|100|120 Watts



Product Description

Wind Turbine is used to generate Electricity using wind speed and can used to reduce electricity bills or to charge batteries.

Small wind turbines are an excellent source of power generation when they are positioned in a suitable location such exposed coastal or rural areas. Wind turbines should be positioned in clean wind which is strong and laminar, which means it flows in smooth streamlines and is not disrupted by nearby obstacles. It generates 3 times more than Solar panels system and thus it is economical than solar where wind speed is good.

Product Specification

Product Description – 300W Model

Rated Power – 300 Watts at 12m/s (27mph)

Maximum power – 330 Watts at 13.5m/s (30mph)

Start-up wind speed – 2.0 m/s (4.5mph), see power curve graph

Survival Wind Speed – 50 m/s (112mph)

Voltage Output – 12V DC/ 24V DC (options)

Blade Diameter – 1.35M (4ft 4.2in)

Number of Blades – 3

Weight – 10Kg

Overspeed Protection – Electronic Stalling to slow rotation

Blade Material – Nylon Fibre

Body Material – diecast aluminium alloy, powder coated for weather & corrosion protection

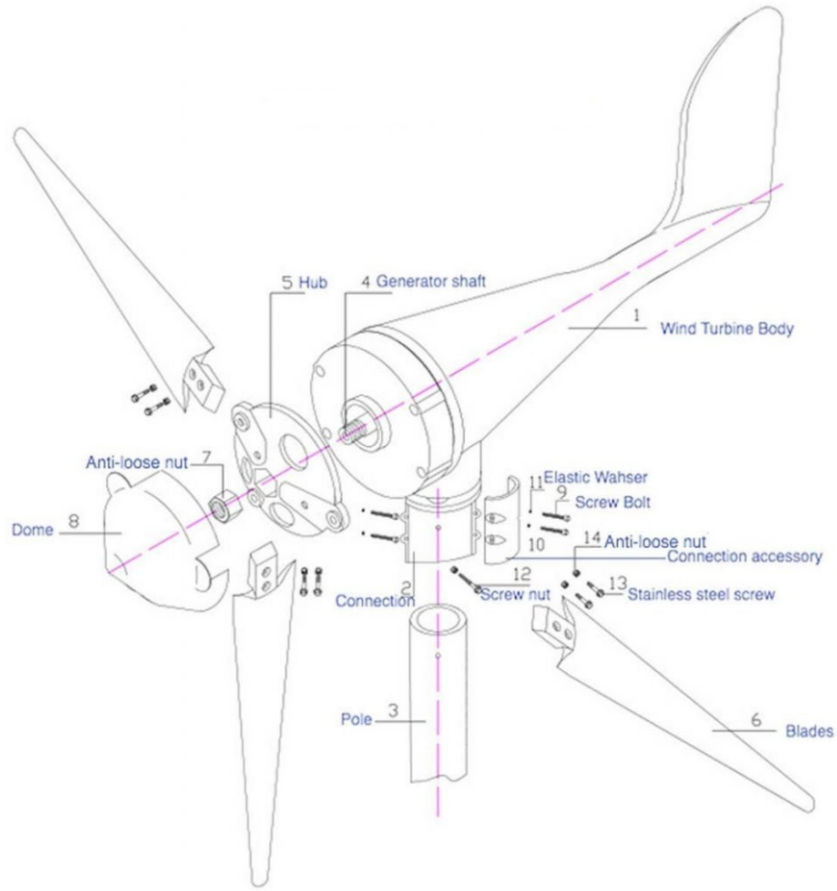
Turbine generator type – brushless low friction 3-phase permanent magnet AC synchronous

Mounting – Simple clamp mounting onto a 48mm external diameter steel pole.

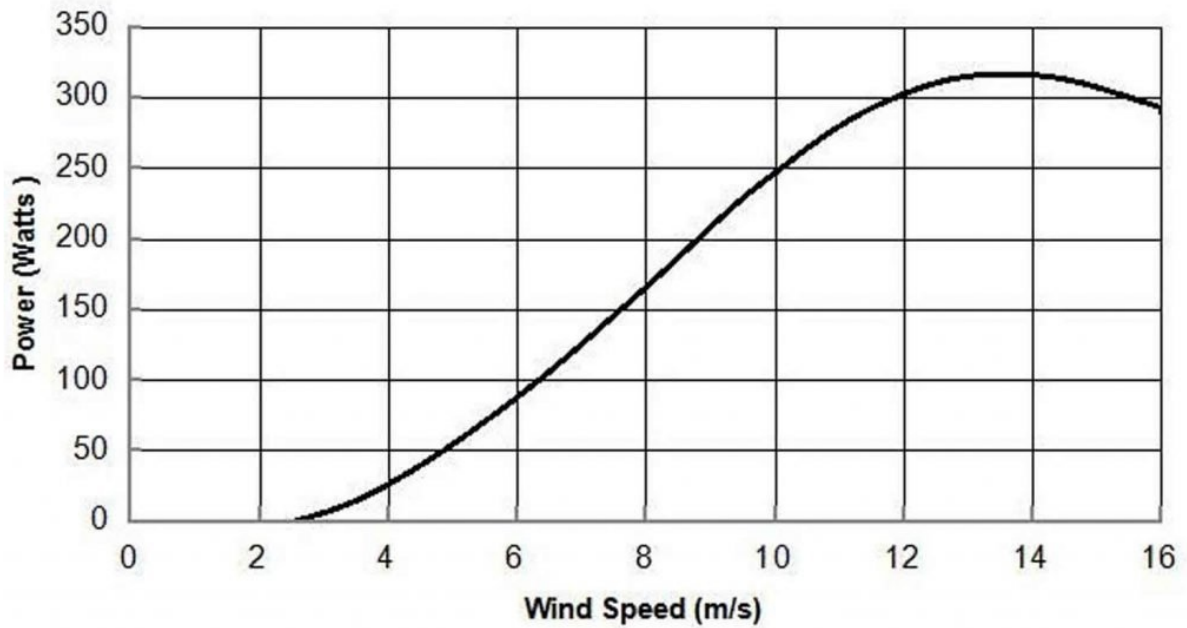
Operating temperature -40 to 80 degrees Centigrade

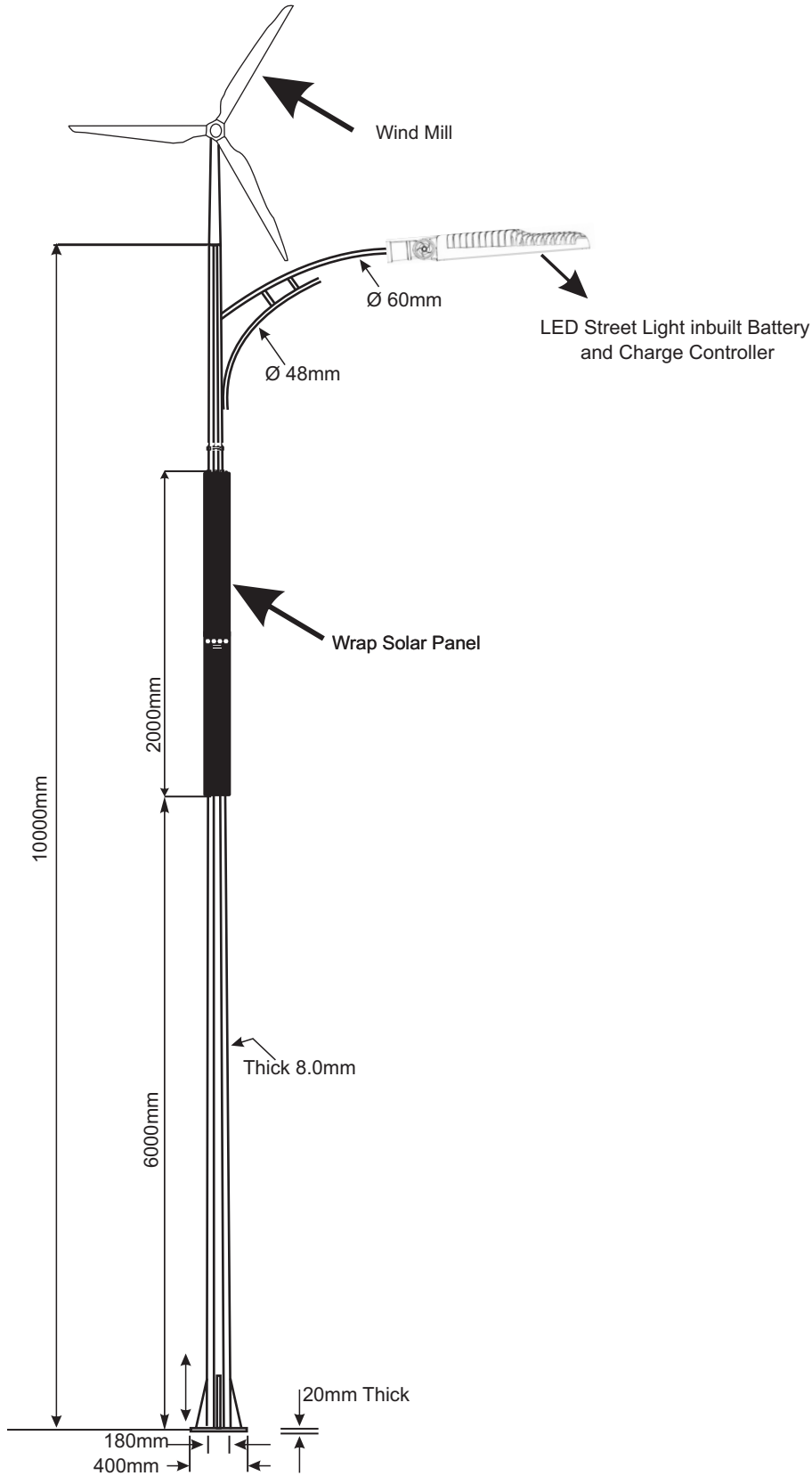
Design Life – 20 Years

Wind Turbine Structure



Wind Turbine 300W Energy Curve





Pioneer of LED Lighting Technology in Pakistan

GetTechnologiesTM

Powering a Green Tomorrow

Get in Touch:

 0321-5959170, 0321-5959171

E-mail: sales@getgroup.pk

Visit our website: www.gtcree.com

24 KM Main Ferozpur Road, Kahna Nau, Lahore, Pakistan